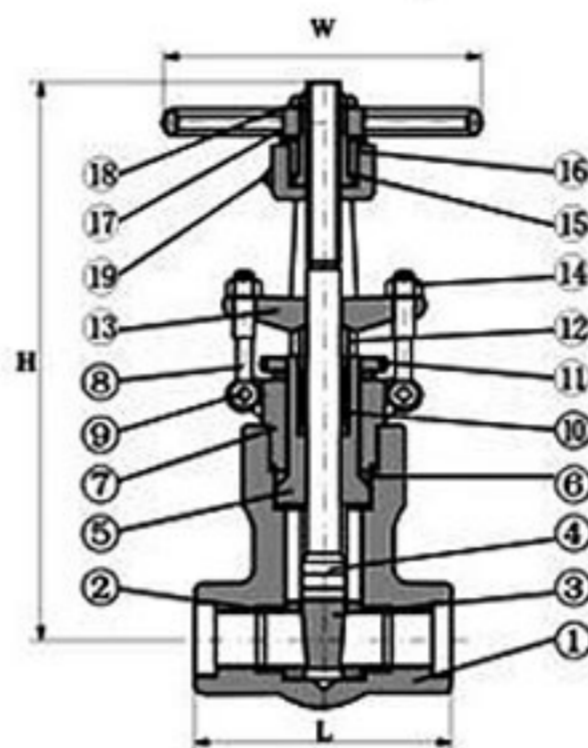


● **Self seal Type Gate Valve**

Model No: Z61Y

Basic standar:

Design standard: JB/T 7746, API602



Materials of main parts:

No.	Parts name	CS to ASTM	AS to ASTM	SS to ASTM	
		Type A105N	Type F22	Type F304(L)	Type F316(L)
1	body	A105N	A182 F22	A182 F304(L)	A182 F316(L)
2	Seal ring	A276 410	A276 304	A276 304(L)	A276 316(L)
3	plate	A182 F430	A182 F304	A182 F304(L)	A182 F316(L)
4	stem	A182 F6a	A182 F304	A182 F304(L)	A182 F316(L)
5	Seal seat	A105N	A182 F304	A182 F304(L)	F316(L)
6	Seal ring	A276 304L			A276 316(L)
7	bonnet	A105N	A182 F22	A182 F304(L)	A182 F316(L)
8	Eyelet nut	A193 B7	A193 B16	A193 B8(M)	
9	Straight pin	A276 F420		A182 F304	
10	packing	Flexible graphite		PTFE	
11	Lift nut	A194 2H	A194 4	A194 8	A194 8M
12	Bearing cover	A276 F420		A182 F304	
13	Hand wheel	Flexible graphite		PTFE	
14	Lock nut	A194 2H	A194 4	A194 8	A194 8M
15	Stem nut	A276-420			
16	Bearing cover	A194 4	A194 8	A194 8M	
17	Hand wheel	A197			
18	Locknut	A194 4	A194 8	A194 8M	
19	Lubricating oil vessel	Brass			
Applicable medium		Water, oil, steam	Water, oil, steam	Nitric acid, acetic acid, etc.	
Suitable temp.		-29°C~425°C	-29°C~550°C	-29°C~200°C	

Add.: No. 806, Binhai 4th Avenue, Longwan District, Wenzhou City, China

Tel: +86 577 8682 1368 Fax: +86 577 86815502 / 86815501

Mailbox: jg.valve@qq.com sales4@jinggongvalve.com Website: jinggongvalves.com

Note: Other materials are also available on requested, seal face materials depend on the customized trim materials.

CS=carbon steel; AS=steel alloyed; SS=stainless steel

Outlet dimensions and reference weight:

		(mm)			(kg)		
NPS		1/2"	3/4"	1"	1 1/4"	1 1/2"	2"
L	900Lb-1500Lb	140	140	140	178	178	216
	2500Lb	186	186	186	232	232	279
H (open)		321	321	321	380	414	502
W		160	160	180	200	250	280
Weight	900LB-1500LB	11.5	10.8	10.5	19.6	21.0	55.4
	2500LB	12.3	11.6	10.8	26.0	28.4	60.0