

PCS Type Ball Valves

(Include: 1 PC Ball Valve, 2 PCS Ball Valve, and 3 PCS Ball Valve)

● 1 PC Female Threaded Ball Valve

Model No: **Q11F**

Nominal Diameter: 1/2"~4", DN15~DN 100;

Nominal Pressure: 1.6~6.4MPa;

Applicable medium: water, oil, steam and some other corrosive liquid;

Thread standard: NPT, BSPT, BSP, and DIN259/2999

Structure Features:

1. Open and close without friction;
2. Top entry structure;
3. Single seat design;
4. Low torque design;
5. Wedge seal structure;
6. Self cleaning structure of sealing surface.

| No. | Parts Name | Materials |
|-----|---------------|-----------|
| 1 | Seal Ring | PTFE |
| 2 | Ball | SS316 |
| 3 | Seal Gasket | PTFE |
| 4 | Bonnet | SS316 |
| 5 | Body | CF8M |
| 6 | Stem | SS316 |
| 7 | Thrust Washer | PTFE |
| 8 | Packing | PTFE |
| 9 | Gland Nut | SS304 |
| 10 | Washer | SS304 |
| 11 | Stem Nut | SS304 |
| 12 | Handle Sleeve | Plastic |
| 13 | Handle | SS304 |

Usage: It is mainly used for cutting, distribution and changes the direction of the flow of media.

Test Methods:

| DN | DN (mm) | 6~100 mm | | |
|----------------------|---|----------|-----|-----|
| PN | PN (MPa) | 2.5 | 4 | 6.4 |
| Test Pressure | Shell Test | 3.8 | 6 | 9.6 |
| | Back Seat Test | 3 | 4.8 | 7.6 |
| | Air Seal Test | 0.6 | 0.6 | 0.6 |
| Applicable Medium | water, oil, steam and some other corrosive liquid | | | |
| Suitable temperature | < 150°C (PTFE) , < 300°C (PLL) | | | |



Outline Dimensions:

| Size | 1/4" | 3/8" | 1/2" | 3/4" | 1" | 1 1/4" | 1 1/2" | 2" |
|----------|------|------|------|------|------|--------|--------|------|
| D | 5.0 | 7.0 | 9.2 | 12.5 | 15.0 | 20.0 | 24.5 | 32 |
| L | 40 | 45 | 58 | 60 | 72 | 78 | 83 | 100 |
| H | 35 | 37 | 43.5 | 47 | 50 | 57 | 69 | 74.5 |
| E | 64 | 70 | 90 | 90 | 103 | 103 | 127 | 127 |
| W.T. (g) | 55 | 95 | 165 | 250 | 405 | 525 | 850 | 1400 |



JINGGONG VALVE

China. Jinggong Valve Co., Ltd.

● **2 PCS Female Threaded Ball Valve**

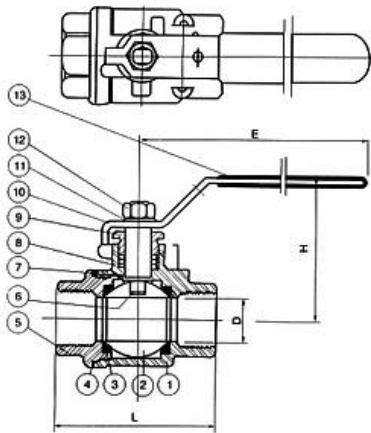
Model No: **Q11F**

Nominal Diameter: 1/2"~4", DN15~DN 100;

Nominal Pressure: 1.6~6.4MPa;

Applicable medium: water, oil, steam and some other corrosive liquid;

Thread standard: NPT, BSPT, BSP, and DIN259/2999



Materials of main parts:

| No. | Parts Name | Materials | |
|-----|---------------|-----------------|--------------|
| | | Stainless Steel | Carbon Steel |
| 1 | Body | CF8M | WCB |
| 2 | Ball | SS316 | SS304 |
| 3 | Seal Ring | PTFE | PTFE |
| 4 | Seal Gasket | PTFE | PTFE |
| 5 | bonnet | CF8M | WCB |
| 6 | Stem | SS316 | SS304 |
| 7 | Thrust Washer | PTFE | PTFE |
| 8 | Packing | PTFE | PTFE |
| 9 | Gland Nut | SS304 | SS304 |
| 10 | Handle | SS304 | SS304 |
| 11 | Washer | SS304 | SS304 |
| 12 | Stem Nut | SS304 | SS304 |
| 13 | Handle Sleeve | Plastic | Plastic |

Test Methods:

| DN | DN (mm) | 6~100 mm | | |
|----------------------|---|----------|-----|-----|
| PN | PN (MPa) | 2.5 | 4 | 6.4 |
| Test Pressure | Shell Test | 3.8 | 6 | 9.6 |
| | Back Seat Test | 3 | 4.8 | 7.6 |
| | Air Seal Test | 0.6 | 0.6 | 0.6 |
| Applicable Medium | water, oil, steam and some other corrosive liquid | | | |
| Suitable temperature | < 150°C (PTFE) , < 300°C (PLL) | | | |

Remarks: 1. **Butt Weld type** and **Socket Weld type** are available on requested;

2. All the 2 PCS type ball valve can be equipped with ISO 5211 high mount **platform** and **locking device**.

Outline Dimensions: mm

| SIZE | 1/4" | 3/8" | 1/2" | 3/4" | 1" | 1 1/4" | 1 1/2" | 2" | 2 1/2" | 3" | 4" |
|------|------|------|------|------|------|--------|--------|-----|--------|-----|-----|
| D | 11.6 | 12.7 | 15 | 20 | 25 | 32 | 38 | 50 | 65 | 80 | 100 |
| L | 55 | 55 | 65 | 75 | 88 | 102 | 110 | 125 | 162 | 189 | 260 |
| H | 50 | 50 | 60 | 64 | 71 | 78 | 86 | 95 | 130 | 148 | 180 |
| E | 100 | 100 | 130 | 130 | 165 | 165 | 190 | 190 | 250 | 250 | 280 |
| (KG) | 0.2 | 0.2 | 0.35 | 0.5 | 0.75 | 1.3 | 2.0 | 3.3 | 4.5 | 6.1 | 9.9 |

Add.: No. 806, Binhai 4th Avenue, Longwan District, Wenzhou City, China

Tel: +86 577 8682 1368 Fax: +86 577 86815502 / 86815501

Website: www.jinggongvalves.com Mailbox: jg.valve@qq.com sales4@jinggongvalve.com



JINGGONG VALVE

China. Jinggong Valve Co., Ltd.

● 3 PCS Female Threaded Ball Valve

Model No: Q11F

Nominal Diameter: 1/2"~4", DN15~DN 100;

Nominal Pressure: 1.6~6.4MPa;

Applicable medium: water, oil, steam and some other corrosive liquid;

Thread standard: NPT, BSPT, BSP, and DIN259/2999

Basis Standards:

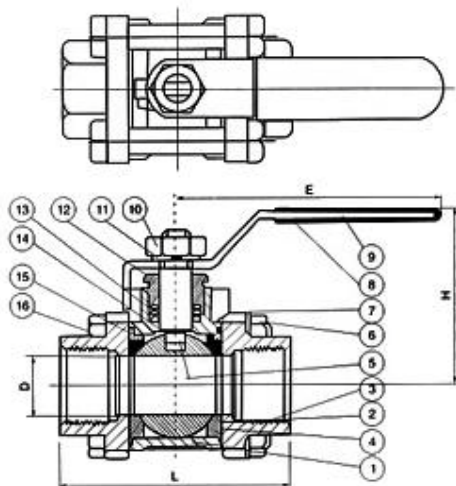
1. Design standard: ASME B16.34,API 608;
2. Face to face: GB/T 12221-2005;
3. Thread standard: ASME B1.20, BS21, DIN29999/259, BSP, ISO7/1, ISO228/1, JISB02;
4. Temperature & Pressure: GB/T 12224-2005;
5. Test standard: API 598, GB/T 13927-2008

Structure features:

1. Seat with elastic sealing structure, reliable sealing, easy to open and close;
2. The valve stem seal with lower entry type seal inverted structure, the stem will not be blow out when valve chamber has abnormal high pressure;
4. ISO 5211 standard supporting platform and locking device are available on requested;
5. 90 degree switch positioning mechanism can be set, and additional lock may need to prevent misoperation;
6. Drive modes: manual, electric, pneumatic.

Test methods:

| | | | | |
|----------------------|---|----------|-----|-----|
| DN | DN (mm) | 6~100 mm | | |
| PN | PN (MPa) | 2.5 | 4 | 6.4 |
| Test Pressure | Shell Test | 3.8 | 6 | 9.6 |
| | Back Seat Test | 3 | 4.8 | 7.6 |
| | Air Seal Test | 0.6 | 0.6 | 0.6 |
| Applicable Medium | water, oil, steam and some other corrosive liquid | | | |
| Suitable temperature | < 150°C (PTFE) , < 300°C (PLL) | | | |



**Materials of main parts:**

| No. | Parts Name | Materials | |
|-----|---------------|-----------------|--------------|
| | | Stainless steel | Carbon Steel |
| 1 | body | CF8M | WCB |
| 2 | Seal Ring | PTFE | PTFE |
| 3 | Bonnet | CF8M | WCB |
| 4 | Ball | SS316 | SS304 |
| 5 | Stem | SS316 | SS316 |
| 6 | Nut | SS304 | FCD45 |
| 7 | Washer | SS304 | FCD45 |
| 8 | Handle Sleeve | Plastic | Plastic |
| 9 | Handle | SS304 | SS304 |
| 10 | Stem Nut | SS304 | B7 |
| 11 | Washer | SS304 | SS304 |
| 12 | Gland Nut | SS304 | FCD45 |
| 13 | Packing | PTFE | PTFE |
| 14 | Thrust Nut | PTFE | PTFE |
| 15 | Packing | PTFE | PTFE |
| 16 | Bolt | SS304 | B8 |

Outline Dimensions & Weight:

| SIZE | 1/4" | 3/8" | 1/2" | 3/4" | 1" | 1-1/4" | 1-1/2" | 2" | 2-1/2" | 3" | 4" |
|-------|------|------|------|------|-----|--------|--------|------|--------|------|-------|
| D | 11.6 | 12.7 | 15 | 20 | 25 | 32 | 38 | 50 | 65 | 80 | 100 |
| L | 68 | 68 | 72 | 82 | 90 | 112 | 120 | 145 | 185 | 210 | 268 |
| H | 100 | 100 | 130 | 130 | 165 | 165 | 190 | 190 | 250 | 250 | 280 |
| E | 100 | 100 | 130 | 130 | 165 | 165 | 190 | 190 | 250 | 250 | 280 |
| WT(g) | 225 | 225 | 390 | 502 | 850 | 1502 | 2020 | 3625 | 4700 | 7700 | 14850 |

- **3 PCS Butt Weld Ball Valve**

Model No: **Q61F**

Nominal Diameter: 1/2"~4", DN15~DN 100;

Nominal Pressure: 1.6~6.4MPa;

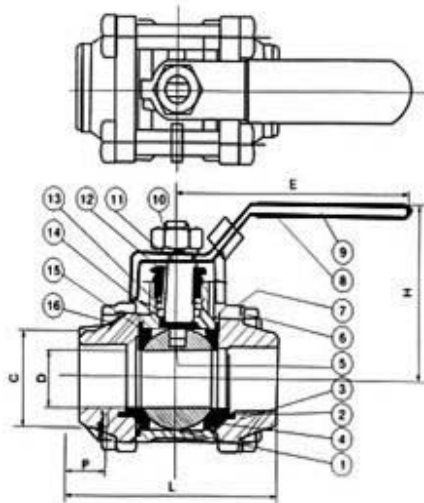
Applicable medium: water, oil, steam and some other corrosive liquid;

Butt weld standard: GB12224, ANSIB16.25



JINGGONG VALVE

China. Jinggong Valve Co., Ltd.



Materials are the same as threaded type.

Outline Dimensions & Weight:

| Size | 1/4" | 3/8" | 1/2" | 3/4" | 1" | 1-1/4" | 1-1/2" | 2" | 2-1/2" | 3" | 4" |
|-------|------|------|------|------|------|--------|--------|------|--------|-------|-------|
| D | 11.6 | 12.7 | 15 | 20 | 25 | 32 | 38 | 50 | 65 | 80 | 100 |
| L | 68 | 68 | 72 | 85 | 90 | 112 | 120 | 145 | 185 | 215 | 270 |
| H | 50 | 50 | 60 | 64 | 71 | 78 | 86 | 95 | 130 | 148 | 173 |
| E | 100 | 100 | 130 | 130 | 165 | 165 | 190 | 190 | 250 | 250 | 280 |
| C | 14 | 17.5 | 22.7 | 27.5 | 33.5 | 42 | 48.6 | 60.5 | 76.3 | 90 | 106.5 |
| WT(g) | 400 | 405 | 640 | 890 | 1160 | 2195 | 2940 | 4865 | 7000 | 10700 | 19350 |

● 3 PCS Butt Weld Extended Ball Valve

Materials of main parts:

Model No: **Q61F**

Nominal Diameter: 1/2"~4", DN15~DN 100;

Nominal Pressure: 1.6~6.4MPa;

Applicable medium: water, oil, steam and some other corrosive liquid;

Butt weld standard: GB12224, ANSIB16.25

| No. | Parts name | Materials | |
|-----|---------------|-----------|----------|
| | | S. Steel | C. Steel |
| 1 | body | CF8M | WCB |
| 2 | Seal Ring | PTFE | PTFE |
| 3 | bonnet | CF8M | WCB |
| 4 | ball | SS316 | SS304 |
| 5 | stem | SS316 | 316 |
| 6 | nut | SS304 | 304 |
| 7 | washer | SS304 | 304 |
| 8 | Handle sleeve | Plastic | Plastic |
| 9 | handle | SS304 | 304 |
| 10 | Stem nut | SS304 | 304 |
| 11 | washer | SS304 | 304 |
| 12 | Gland nut | SS304 | 304 |
| 13 | packing | PTFE | PTFE |
| 14 | Thrust washer | PTFE | PTFE |
| 15 | packing | PTFE | PTFE |
| 16 | bolt | SS304 | SS304 |

Add.: No. 806, Binhai 4th Avenue, Longwan District, Wenzhou City, China

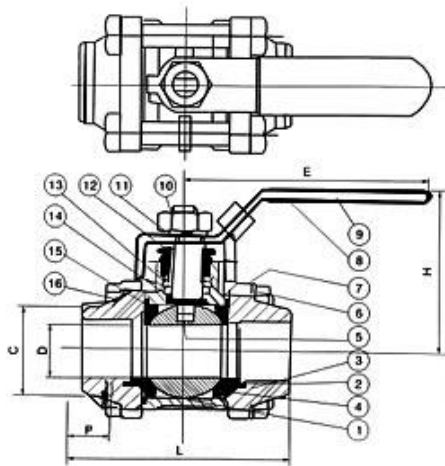
Tel: +86 577 8682 1368 Fax: +86 577 86815502 / 86815501

Website: www.jinggongvalves.com Mailbox: jg.valve@qq.com sales4@jinggongvalve.com



JINGGONG VALVE

China. Jinggong Valve Co., Ltd.



Outline Dimensions & Weight:

| Size | 1/4" | 3/8" | 1/2" | 3/4" | 1" | 1-1/4" | 1-1/2" | 2" | 2-1/2" | 3" | 4" |
|-------|------|------|------|------|------|--------|--------|------|--------|-------|-------|
| D | 11.6 | 12.7 | 15 | 20 | 25 | 32 | 38 | 50 | 65 | 80 | 100 |
| L | 68 | 68 | 72 | 85 | 90 | 112 | 120 | 145 | 185 | 215 | 270 |
| H | 50 | 50 | 60 | 64 | 71 | 78 | 86 | 95 | 130 | 148 | 173 |
| E | 100 | 100 | 130 | 130 | 165 | 165 | 190 | 190 | 250 | 250 | 280 |
| C | 14 | 17.5 | 22.7 | 27.5 | 33.5 | 42 | 48.6 | 60.5 | 76.3 | 90 | 106.5 |
| WT(g) | 400 | 405 | 640 | 890 | 1160 | 2195 | 2940 | 4865 | 7000 | 10700 | 19350 |

● 3-Way Threaded Ball Valve

Model No: Q14F, Q15F

Nominal Diameter: 1/2" ~ 4", DN15 ~ DN 100;

Nominal Pressure: 2.5 MPa;

Applicable medium: water, oil, steam and some other corrosive liquid;

Thread standard: NPT, BSPT, BSP, and DIN259/2999

Basis Standards:

1. Design standard: ASME B16.34, API 608;
2. Face to face: GB/T 12221-2005;
3. Thread standard: ASME B1.20, BS21, DIN29999/259, BSP, ISO7/1, ISO228/1, JISB02;
4. Temperature & Pressure: GB/T 12224-2005;
5. Test standard: API 598, GB/T 13927-2008

Structure features:

1. Seat with elastic sealing structure, reliable sealing, easy to open and close;
2. The valve stem seal with lower entry type seal inverted structure, the stem will not be blow out when valve chamber has abnormal high pressure;
4. ISO 5211 standard supporting platform and locking device are available on requested;

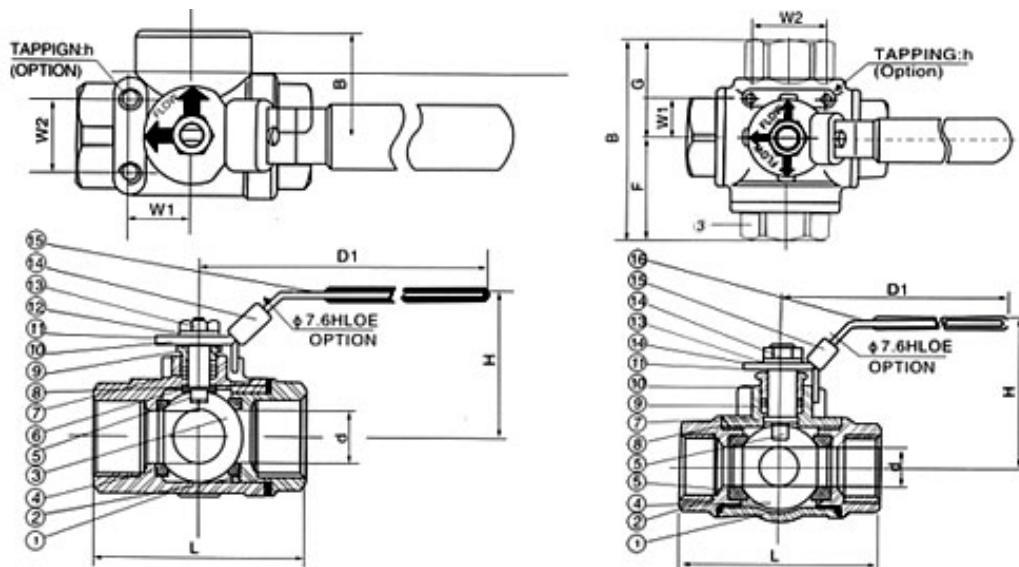
Add.: No. 806, Binhai 4th Avenue, Longwan District, Wenzhou City, China

Tel: +86 577 8682 1368 Fax: +86 577 86815502 / 86815501

Website: www.jinggongvalves.com Mailbox: jg.valve@qq.com sales4@jinggongvalve.com



- 5. 90 degree switch positioning mechanism can be set, and additional lock may need to prevent misoperation;
- 6. Drive modes: manual, electric, pneumatic.



Materials of main parts:

| No. | Parts Name | Material |
|-----|----------------|-----------------|
| | | Stainless Steel |
| 1 | Body | CF8M/CF8 |
| 2 | Bonnet | CF8M/CF8 |
| 3 | Ball | CF8M/CF8 |
| 4 | Ball Gasket | PTFE |
| 5 | Stem | CF8M/CF8 |
| 6 | Packing | PTFE |
| 7 | Middle Open | PTFE |
| 8 | Large Slice | PTFE |
| 9 | Gland Nut | CF8M/CF8 |
| 10 | Handle | CF8M/CF8 |
| 11 | Flow Indicator | Aluminum |
| 12 | Washer | CF8 |
| 13 | Nut | CF8 |
| 14 | Locking Device | CF8 |
| 15 | Handle Sleeve | Plastic |
| 16 | Blind Cover | CF8M/CF8 |

Outline Dimensions:

L-Shape



JINGGONG VALVE

China. Jinggong Valve Co., Ltd.

| Size | d | L | H | D1 | B | W1 | W2 | h | W.T. (g) |
|--------|------|-----|----|-----|------|------|------|-----------|----------|
| 1/2" | 12.7 | 64 | 53 | 97 | 32.0 | 22.4 | 35.0 | 10-24UNC | 530 |
| 3/4" | 16.0 | 76 | 63 | 126 | 38.0 | 22.4 | 35.0 | 10-24UNC | 700 |
| 1" | 20.0 | 87 | 66 | 126 | 43.5 | 22.4 | 35.0 | 10-24UNC | 980 |
| 1 1/4" | 25.0 | 96 | 81 | 145 | 48.0 | 22.4 | 35.0 | 10-24UNC | 1950 |
| 1 1/2" | 32.0 | 114 | 83 | 145 | 57.0 | 25.4 | 38.1 | 1/4-20UNC | 2950 |
| 2" | 38.1 | 142 | 96 | 204 | 71.0 | 25.4 | 38.1 | 1/4-20UNC | 4450 |

T-shape

| Size | d | L | H | D1 | B | F | G | W1 | W2 | h | WT (g) |
|--------|------|-----|-----|-----|-------|-----|-----|------|------|-----------|--------|
| 1/2" | 12.7 | 75 | 59 | 126 | 71.0 | 335 | 375 | 22.4 | 35.0 | 10-24UNC | 550 |
| 3/4" | 16.0 | 85 | 64 | 126 | 81.5 | 390 | 425 | 22.4 | 35.0 | 10-24UNC | 725 |
| 1" | 20.0 | 100 | 80 | 145 | 102.0 | 505 | 515 | 22.4 | 35.0 | 10-24UNC | 1000 |
| 1 1/4" | 25.0 | 115 | 90 | 145 | 108.5 | 510 | 575 | 25.4 | 38.1 | 10-24UNC | 2000 |
| 1 1/2" | 32.0 | 125 | 96 | 204 | 121.0 | 580 | 630 | 25.4 | 38.1 | 1/4-20UNC | 3000 |
| 2" | 38.1 | 148 | 106 | 204 | 138.5 | 655 | 730 | 25.4 | 38.1 | 1/4-20UNC | 4650 |

● 3 PCS Socket Weld Ball Valve

Model No: Q61N

Nominal Diameter: 1/2"~4", DN15~DN 100;

Nominal Pressure: 1.6~6.4MPa;

Applicable medium: water, oil, steam and some other corrosive liquid;

Thread standard: NPT, BSPT, BSP, and DIN259/2999

Basis Standards:

1. Design standard: ASME B16.34, API 608;
2. Face to face: GB/T 12221-2005;
3. Socket Weld Standard: GB12224, ANSI B16.25;
4. Temperature & Pressure: GB/T 12224-2005;
5. Test standard: API 598, GB/T 13927-2008

Materials of Main Parts:

| No. | Parts name | Material | |
|-----|---------------|----------|----------|
| | | S. Steel | C. Steel |
| 1 | Body | CF8M | WCB |
| 2 | Seal ring | PTFE | PTFE |
| 3 | Bonnet | CF8M | WCB |
| 4 | Ball | SS316 | SS304 |
| 5 | Stem | SS316 | SS316 |
| 6 | Nut | SS304 | FCD45 |
| 7 | Gasket | SS304 | FCD45 |
| 8 | Handle Sleeve | Plastic | Plastic |
| 9 | Handle | SS304 | SS304 |
| 10 | Stem Nut | SS304 | B7 |
| 11 | Washer | SS304 | SS304 |
| 12 | Gland Nut | SS304 | FCD45 |
| 13 | Packing | PTFE | PTFE |
| 14 | Thrust Washer | PTFE | PTFE |
| 15 | Packing | PTFE | PTFE |
| 16 | Bolt | SS304 | B8 |

Add.: No. 806, Binhai 4th Avenue, Longwan District, Wenzhou City, China

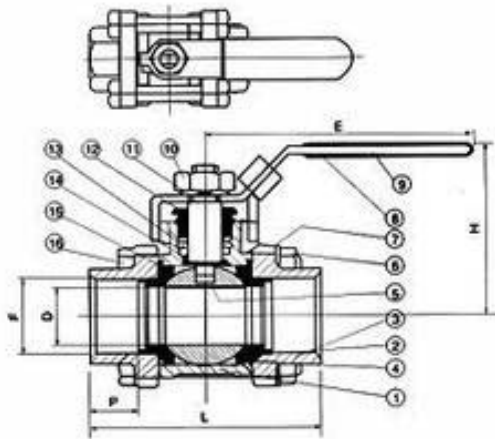
Tel: +86 577 8682 1368 Fax: +86 577 86815502 / 86815501

Website: www.jinggongvalves.com Mailbox: jg.valve@qq.com sales4@jinggongvalve.com



JINGGONG VALVE

China. Jinggong Valve Co., Ltd.



Outline Dimensions & Weight:

| SIZE | 1/4" | 3/8" | 1/2" | 3/4" | 1" | 1 1/4" | 1 1/2" | 2" | 2 1/2" | 3" | 4" |
|----------|------|------|------|------|------|--------|--------|------|--------|--------|-------|
| D | 11.6 | 12.7 | 15 | 20 | 25 | 32 | 38 | 50 | 65 | 80 | 100 |
| L | 68 | 68 | 72 | 85 | 90 | 112 | 120 | 145 | 185 | 215 | 270 |
| H | 50 | 50 | 60 | 64 | 71 | 78 | 86 | 95 | 130 | 248 | 173 |
| E | 100 | 100 | 130 | 130 | 165 | 165 | 190 | 190 | 250 | 250 | 280 |
| F | 14.1 | 17.6 | 21.8 | 27.5 | 34.7 | 43.0 | 49.0 | 61.5 | 77.0 | 90.0 | 115.2 |
| P | 10 | 10 | 10 | 13 | 13 | 16 | 16 | 18 | 18 | 20 | 20 |
| W.T. (g) | 400 | 405 | 640 | 890 | 1160 | 2940 | 2940 | 4865 | 7000 | 107000 | 19350 |

Add.: No. 806, Binhai 4th Avenue, Longwan District, Wenzhou City, China

Tel: +86 577 8682 1368 Fax: +86 577 86815502 / 86815501

Website: www.jinggongvalves.com Mailbox: jg.valve@qq.com sales4@jinggongvalve.com